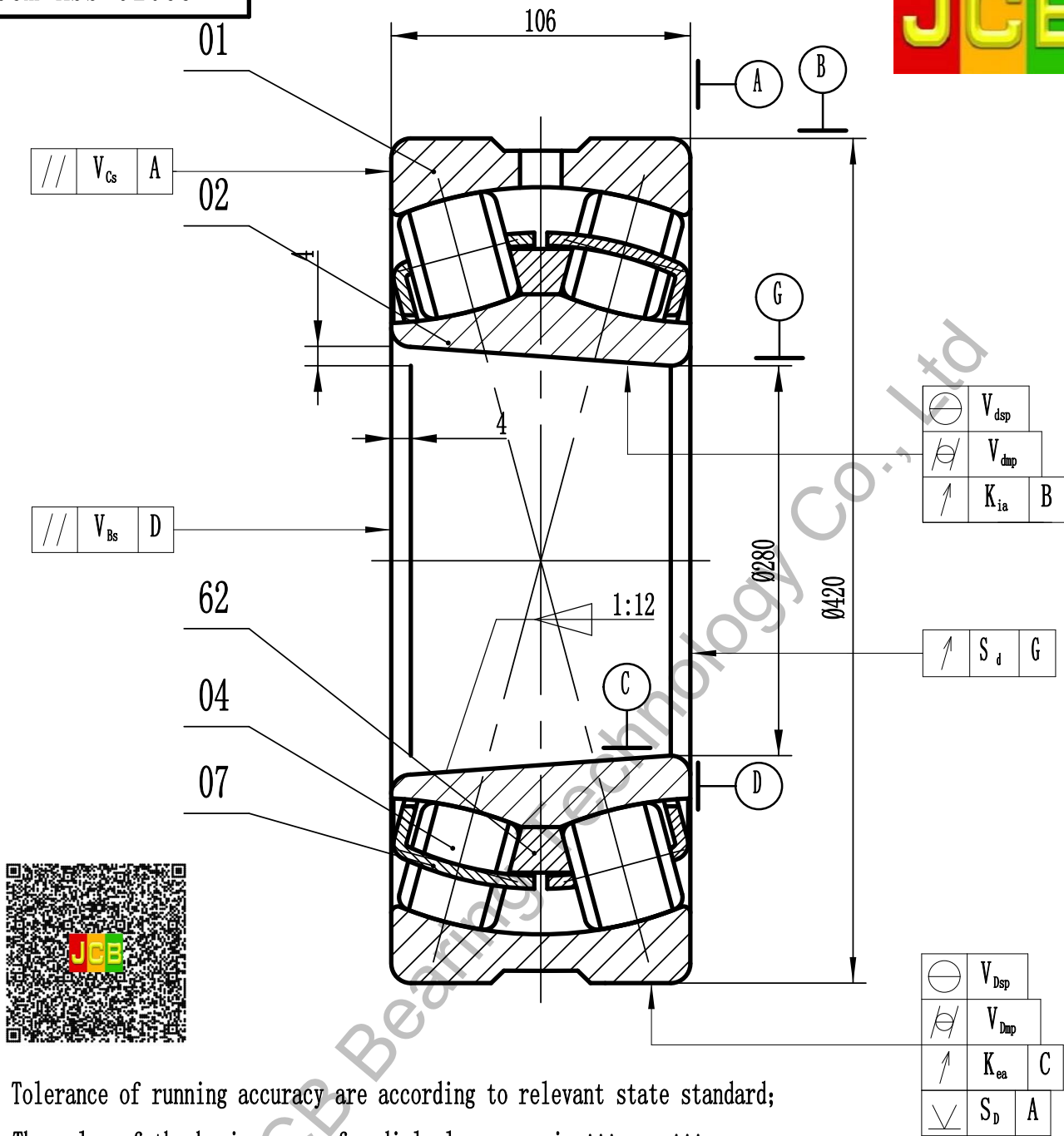


23056 CCK-W33



1. Tolerance of running accuracy are according to relevant state standard;
2. The value of the basic group of radial clearance: min *** max *** ;
- 3 Rated load: Cr= **** kN Cor= **** kN.

62	Guide ring		Steel 20—GB699			
07	Cage		Steel St 52—EN 10025:1990 + A:1993			
04	Roller		Steel 100Cr6—ISO 683-17:1999			
02	Inner ring		Steel 100Cr6—ISO 683-17:1999			
01	Outer ring		Steel 100Cr6—ISO 683-17:1999			
No.	Name	Qty	Material	Unit	Total	Remark
				Weight (kg)		

<p>Luoyang JCB Bearing Technology Co., Ltd</p> <p>Contact information</p> <p>Company Address : No. 285, Fenghua road, Luoyang, Henan, China.</p> <p>Postal code : 471000</p> <p>Phone :86-379-68611678</p> <p>Fax : 86-379-68611679</p> <p>E-mail: sales@jcb-bearing.com</p> <p>Reserved E-mail: sales@sphericalrollerbearing.net</p> <p>Website: www.jcb-bearing.com</p> <p>www.sphericalrollerbearing.net</p>	<h1>Spherical Roller Bearing</h1>		<h2>23056 CCK-W33</h2>	
			Weight(kg)	Scale
	S			
	Total page 6		Page No. 1	
	Luoyang JCB Bearing Technology Co., Ltd			